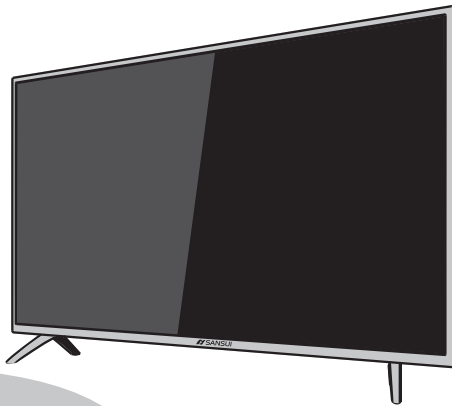




USER MANUAL



LED SmartTV

Model No.: **JSK32LSHD**
JSK40LSFHD
JSK43LSFHD



Please read this user manual carefully for proper usage before installation and use. Kindly keep this manual safely for future reference. The pictures in this manual are only for reference purposes.



Contents

Safety Warning and Notice	1
Mounting and Connecting	3
Mounting the TV set	3
Connecting peripheral equipment	4
Panel Control Keys	5
Remote Control	6
Basic Operations	7
Turning on/Standby	7
Signal source selection	7
Menu operation description	8
Smart TV	8
OSD language setting	8
Program scanning	8
REC option	8
Time shift option	9
App	9
Network settings	9
Important statement on network services	9
Multimedia player	9
Troubleshooting	10
Technical Specifications	11
Base Installation Instructions	12
Disposal of Old Electronic Devices	13

SAFETY WARNING AND NOTICE

Thanks for choosing the high-performance and multifunctional intelligent LED TV produced by our company. This precious thing will bring you better audiovisual enjoyment. This product has been specifically designed after taking into consideration the factors affecting personal safety, and has itself gone through strict tests prior to delivery. However, improper operation may result in electric shock or fire disaster. For safety and usage purposes, please read this manual thoroughly and retain it for future reference. Keep in mind the safety instructions before using the product.

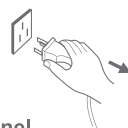
	Warning	May result in casualties.
	Indicates the behaviors that must be prohibited.	

	Attention	May result in personal injury or property losses.
	Indicates the operations that must be performed.	

Under the Following Conditions:


- Power failure or unstable voltage.
- Abnormal sound or smell from the device.
- AC power cord is damaged.
- TV set is damaged due to falling off, knock or impact.
- Any liquid or foreign matters enter into the TV set.

Turn off the TV set immediately, unplug the power cord from the power outlet, and contact the authorized maintenance personnel.



If coal gas or other flammable gases leak, do not unplug the power cord of the TV set or other electric appliances; instead, close the valve of the gas immediately and open the doors and windows.

Warning

-  ● Only use 100-240VAC, 60/50Hz power supply.
- This TV must be connected to a three pin socket outlet for safety.
- All cables can be connected or pulled out only after power supply is turned off.
- Do not place the TV set in an unstable position, or else it may fall, get damaged or catch fire.
- Do not install/ use the TV set in the environment:
 1. With direct sunshine, moisture, overheating, undercooling or heavy dust.
 2. With flammable or explosive substance.
 3. With flammable or corrosive gas.
 4. In bathroom, kitchen, etc.

- Do not use damaged or improper power socket, and ensure that the plug and socket are connected properly.
- Keep the power plug and socket free of dust and metal pieces.
- Do not damage the power cord:
 1. It is prohibited to refit the power cord.
 2. Do not put heavy object on the power cord.
 3. Keep the power cord away from heat sources.
 4. Do not drag the power cord when unplugging.

⚠ Warning

- Do not connect too many appliances to one power strip, or else it may cause fire due to high power consumption.
- Do not let open flame (e.g. lit candle) approach the TV set, or else it may cause electric shock or fire.
- Do not put the container filled with water on the TV set, so as to avoid electric shock or fire caused by splashing of water droplets.
- Do not penetrate any sharp object, metal or liquid into the signal connector or air vents, this may result in product damage, electric shock or short circuit.
- The slots on the case have been designed to release heat. This assures the normal working of the internal components for a long time since they would not reach high temperature levels. Please do not cover the holes while placing the TV set.



Do not touch the plug with wet hands, or else it may cause electric shock.



Do not turn on the TV set during lightning; instead, unplug the power plug and antenna connector to avoid lightning strike.



Do not disassemble the TV set by yourself, or else it may cause electric shock or fire. Contact qualified personnel for maintenance.

⚠ Attention

- Do not let children climb onto the TV set.
- Keep the small accessories away from children's reach, so that they are not mistakenly swallowed.
- If the TV set won't be used for a long time, please turn off the device and unplug the power cord.
- Before cleaning the TV set, unplug the power cord and wipe it with a soft cloth; do not use chemical reagents and avoid foreign substances entering into the device. The incorrect cleaning (such as cleaning fluid, water, etc.) may damage the product's appearance, erasing its printed information. The liquid may even flow into the machine and damage its components, hampering the machine's display.

⚠ Attention

- To adjust the position or angle of the TV set, please disconnect all the wires and move the set slowly to avoid any fall or damage.
- Do not knock at, bend or squeeze the screen. Avoid rubbing the screen with hard object.
- Do not use the machine immediately, if it is shifted from a low temperature place to a high temperature place; otherwise, it will cause fogging inside the machine and may result in failures.

- If the screen is broken and the liquid splashes on your skin, immediately wash the affected part with clean water for 15 minutes, and visit a doctor.
- To carry the TV set with hands, please grasp the corners and hold the bottom; do not apply force on the panel.
- If the same image is being displayed for a long period of time or there are active images with fixed words, there might be a possibility that icons will leave "image persistence" on the screen. This situation may continue to occur even if the device is kept switched off for a longer duration. This undesirable phenomenon is not covered by the warranty.
- Healthy TV-watching:
 1. Watch in appropriate light; poor light or long time watching may hurt your eyes.
 2. Adjust the volume appropriately to avoid any damage to your hearing.
- Unplug the power cord of the device to cut off the power supply.
- If a power plug or appliance coupler is used as disconnecting device, it should ensure easy operation.
- Power plug shall be connected reliably. Loose power plugs may cause sparkle and fire.
- All the technical specifications in the user's manual and on the packaging are subject to changes without prior notice. If there is slight deviation between the user's manual and actual operation, the latter shall prevail.

HDMI™
HIGH-DEFINITION MULTIMEDIA INTERFACE

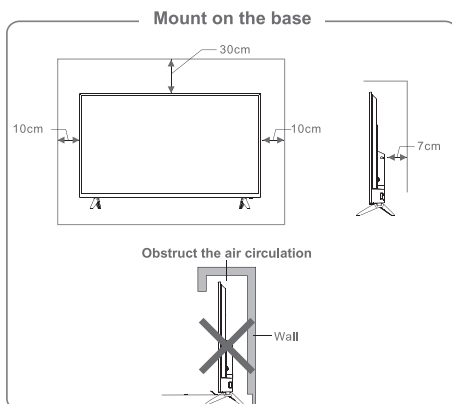
The terms HDMI and HDMI High-Definition Multimedia Interface, and the HDMI Logo are trademarks or registered trademarks of HDMI Licensing Administrator, Inc. in the United States and other countries.

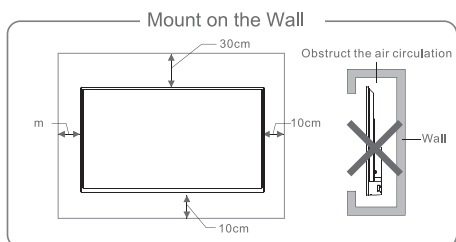
MOUNTING AND CONNECTING

Mounting the TV Set

Tips on Installation

- The TV set should be mounted near the AC power socket for easy plugging and unplugging.
- For your safety, please select appropriate wall mount bracket or base.
- To avoid hurt, it is required to place the TV set on a stable plane, or fix it on the firm wall.
- Ask qualified personnel to mount the TV set on the wall. Improper mounting may result in an unsteady TV set.
- Do not place the TV set at any place susceptible to mechanical vibration.
- Do not place the TV set at any place where insects may enter.
- Do not mount the TV set against the air conditioner, or else the internal panel of the display may condense moisture and cause failure.
- Do not place the TV set at any place with strong magnetic field, or else it may be interfered with and damaged by electromagnetic wave.





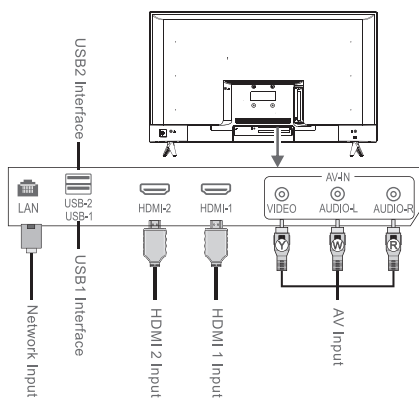
Ventilation

- Please keep at least this much space around the TV, as shown in the figure.
- Do not cover the air vents or insert any object into the enclosure.
- Do not place the device in a limited or enclosed space, like bookcase or embedded closet, unless the TV set has proper ventilation space.

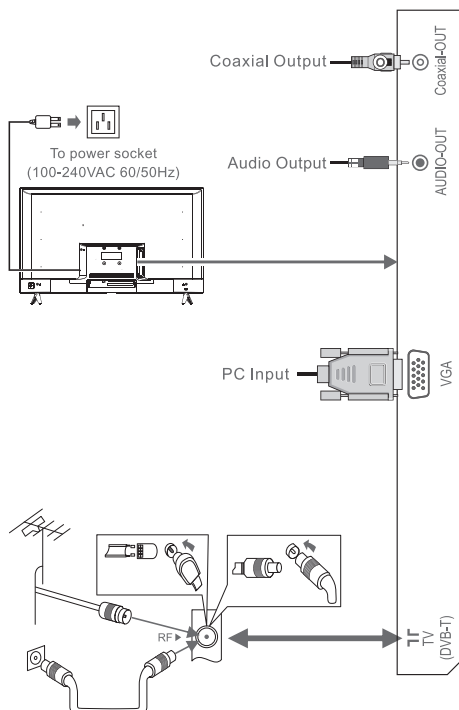
Connecting Peripheral Equipment

Remark:

1. When you need to connect the device which supports the ARC function, please select the HDMI-1 interface.
2. HDMI connector can realize DVI connector function with external HDMI/DVI commutator.
3. The peripheral equipment and cables described in this manual should be purchased separately.



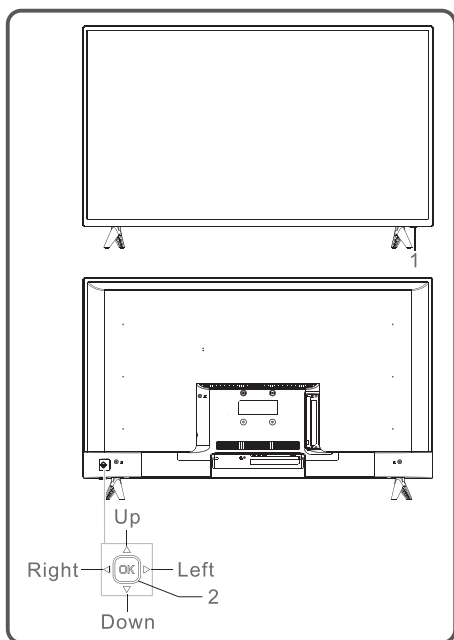
- Ⓜ Yellow (VIDEO signal cable)
- Ⓦ White (AUDIO-L signal cable)
- Ⓡ Red (AUDIO-R signal cables)



⚠ Warning

When connecting outdoor antenna to signal port of the TV set, please turn off the main power switch of the TV set first. Do not approach the outdoor antenna to high-voltage mains power line; otherwise, it may result in electric shock. The wired network antenna connected to this TV set must be isolated from the protective grounding, so as to avoid fire or other hazards.

PANEL CONTROL KEYS



1. Power LED indicator and remote receiving window.

2. Rocker button combination key:

Power on or standby with **OK** rocker:

- ①. After you have plugged the power cord into the electric socket, you can press **OK** rocker to turn on the TV.
- ②. In the power-on state, press **OK** rocker to display the function menu, then move rocker **Left/Right** to select and press **OK** rocker to switch to standby mode.

After turning on the TV, press **OK** rocker:

- ①. In non-OSD menu operation, press **OK** rocker to display the function menu which includes 4 sorts.
- ②. During the menu operation, press **OK** rocker to confirm the operation. Its function is the same as [**OK**] key on the remote control.

Move rocker **Left/Right**:

- ①. In non-OSD menu operation, move rocker **Left/Right** to decrease/increase the volume, the function is the same as [**VOL-**]/[**VOL+**] key on the remote control.
- ②. In OSD menu operation, move rocker **Left/Right** to adjust the analog value of selected item, the function is the same as [**◀**]/[**▶**] key on the remote control.

Move rocker **Up/Down**:

- ①. In non-OSD menu operation, move rocker **Up/Down** to select the channel, the function is the same as [**CH+**]/[**CH-**] key on the remote control.
- ②. In OSD menu operation, move rocker **Up/Down** to select the adjustment items, the function is the same as [**▲**]/[**▼**] key on the remote control.

Note: Different models may have different appearances; please refer to the actual device.

REMOTE CONTROL

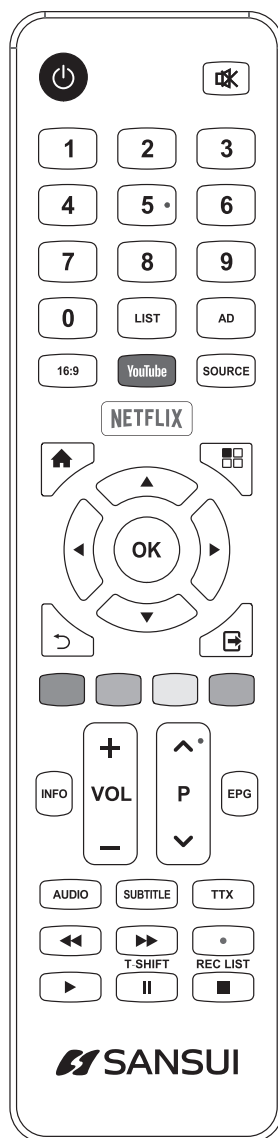
Method for Installation of Remote Control Battery

Remove the battery compartment cover and insert two AAA (No. 7, 1.5V) batteries; make sure the polarity of the batteries is in compliance with the polarity mark "+" and "-" in the battery compartment of the remote control.

Precautions for Using the Remote Control

- The remote control should be pointed at the remote control sensor during operation. An object placed between the remote control and the remote control sensor may impede normal operation.
- The remote control should be prevented from strenuous vibration. Besides, please do not keep or place the remote control under direct sunlight. The exposure to excessive heat may result in deformation of the remote control.
- Remote control failure may occur when the remote control sensor of the main unit is under direct sunshine or strong lighting; in this case, please change the angle of lighting or this TV set, or operate the remote control near the remote control sensor.
- Low battery will influence the remote control's performance and its operating distance, in which case, the battery should be replaced with a new one. If the remote control is going to be idle for a long time or the battery runs out, please take out the battery to prevent the remote control from being corroded by battery leakage; it may result in its damage and failure.
- Please do not use batteries of different types. It is not allowed to use old and new batteries together; the batteries should be replaced in pair.
- Please do not throw the batteries into fire or decompose them; do not charge,

assemble/disassemble, short-circuit, heat or burn the used batteries. Kindly dispose of the waste batteries pursuant to relevant regulations on environmental protection.



Keys	Function
Power (⏻)	Switch between working and standby status.
Mute (🔇)	Turn on/off the sound.
Number keys	Select the channel or input numbers.
LIST	Show channel list.
AD	Turn on/off the associated audio.
16:9	Switch the zoom mode.
YouTube	Open YouTube application.
SOURCE	Show signal source menu.
NETFLIX	Open Netflix application.
Home (🏠)	Show home page.
Menu (☰)	Show OSD menu.
◀, ▶, ▲, ▼	Select items or adjust values.
OK	Confirm the operation.
Return (↶)	Return to previous menu page, or Return to previous channel.
Exit (🚪)	Exit OSD menu or application.
Red key	Special function keys.
Green key	
Yellow key	
Blue key	
INFO	Show information bar.
VOL+/-	Turn up/down the volume.
CH+/- (⏪ ⏩)	Change program channel.
EPG	Electronic program guide.
AUDIO	Select audio language.
SUBTITLE	Select subtitle language.
TTX	Open / Close teletext.
⏮	Fast backward.
⏭	Fast forward.
Record (●)	Start to record current program.
▶ (play)	Play function in multimedia.
T-SHIFT (⏸)	Time shift key. (PAUSE)
REC LIST (📄)	Show PVR list. (STOP)

Note: The appearance of the remote control may be different from this diagram; please refer to the real object as standard.

Basic Operations

Remark:

- The following keys operation refers to remote control operation; for panel control keys operation, please refer to "**Panel Control Keys**" operation explanation.
- The [▶] key means direction key and the [▶] (play) key means play function key
- Menu Operation Instruction** in this manual is explained according to the TV mode. The operations in other modes are similar to the one in TV mode, and users can take it as reference.

Turning on/Standby

Before the power-on mode, please make sure that the power supply is stable. Plug power cord into the electrical socket, then press [⏻] key to turn on the TV. The first time you turn on the TV, the "Welcome" menu will be displayed on the screen. Press[▲]/[▼] key to select OSD language as per your preference and press [▶] key for the next step. The **Data Collection and Firmware Updates Notice** will be displayed on the screen, you can accept it or decline it according to your situation. Then you need to set the country, time zone and TV mode. Finally, follow the prompts to operate the network configuration and auto search, you can also choose to skip it temporarily. Please press [↶] key if you want to return to the previous page during the process. In the power-on state, press [⏻] key to switch to standby mode.

- ★ **Special Tips:** This device adopts energy-saving mode if there is no signal input in the power-on state; it will enter into standby state automatically after ten minutes or at the specified sleep time.

Signal Source Selection

You can connect various devices to the TV set and view high quality images. If the video device has HDMI, AV, PC and other video

output ports, you can select one of them and connect it to the corresponding input ports of the TV set. Once connected, turn on the device and press **[SOURCE]** key, then menu of signal source will be displayed on the screen. Press [◀]/[▶] key to select the input signal, and press **[OK]** key to confirm.

Menu Operation Description

Press [☰] key to show the main menu on the screen:

1. Press key ☰ to select a menu from **Channel, Picture, Sound, Network, System, Lock, Timer, Support.**
2. Press **[OK]**/[▶] key to enter the submenu.
3. Press [▲]/[▼] key to select an item in the menu.
4. Press **[OK]** key to confirm.
5. Press [◀]/[▶] key or [▲]/[▼] key to adjust the value or setting.
6. Press [↵]/[☰] key to return to previous menu when the TV displays the submenu.
7. During menu operation, the icons of invalid options will change into grey.

Note: The default password for the lock system is **0000**.

Smart TV

Press [🏠] key to show the home page.

1. Press [◀]/[▶] key to select an application;
2. Press **[OK]** key to run the application;
3. Press [↵] key to return to previous page;
4. Press **[EXIT]** key to exit the smart mode.

Note: Before accessing the Internet, please connect your TV set to the Internet. Refer to **"Network Settings"** for details.

OSD Language Setting

Press [☰] key, select **System > Language** and press **[OK]** key to enter. Press [▲]/[▼] key to select the desired language, and then press **[OK]** key.

Program Scanning

Tune the programs before watching the TV for the first time. Before scanning, please make sure that the antenna has been connected properly.

Auto Search

Press [☰] key, select **Channel > Auto Tuning**, press **[OK]** key, then set up the **Tune Type** and **Country** according to actual needs. Select **Search** and press **[OK]** key, then the machine starts auto search. Press [↵] key, then select **YES** in the popup window and press **[OK]** to skip current search to start next search. Press [☒] key, then select **YES** in the popup window and press **[OK]** to exit search. Select **NO** and press **[OK]** key to continue.

DTV Manual Search

Press [☰] key, select **Channel> DTV Manual Tuning**, Press **[OK]** key to enter **DTV Manual Tuning Menu**. Press [◀]/[▶] key to select channel, then press [▲]/[▼] key to select **Search** and press **[OK]** key to confirm.

ATV Manual Tuning (In ATV signal source)

Press [☰] key, select **Channel> ATV Manual Tuning**, press **[OK]** key to enter **ATV Manual Tuning** menu, press [▲]/[▼] key to select **Current CH**, and then press [◀]/[▶] key to select what you wish, then select **Search** and press [◀]/[▶] key to search.

REC Option

In DTV mode, press Record [●] key, then the system begins recording. Press [■] key to stop and quit recording.

Press **[REC LIST]** key to display the recorded files and play them. While playing, press [◀]/[▶]/[▶] (play)/[||] (stop) key to handle.

Note: *The recording function can only support memorizer with FAT32 file system. Memorizer with other file systems needs to be formatted. Before formatting the memorizer, take the backup of the useful data because the content of memorizer can not recover after formatting.*

Time Shift Option



When user leaves program for a short time, time-shift function can suspend and cache the playing program to U disk. When user resumes playing, the program can continue to be played. In DTV mode, press **[T-SHIFT]** key, Time Shift option menu shows on the screen and the program is in suspended state. Press **[▶]**(play) key to resume the playing program, Press **[■]** key to stop and quit time-shift. While playing, press **[◀]/[▶]/[▶]**(play)/**[|||]/[■]** key to handle.

App

Press **[▲]** key, then press **[◀]/[▶]** key to select an application and press **[OK]** key to enter. As to Youtube and Netflix, you can press the **[YouTube]** and **[NETFLIX]** key to use them. In the standby mode, you can turn on the TV and use Netflix by pressing **[NETFLIX]** key on the remote control.

Network Settings

■ WIFI

1. Press **[⊞]** key, then select **Network Connection Type > Wifi** and press **[OK]** key, then the wireless network signals searched by your machine would be listed automatically. The network searched without  icon indicates that the machine connects to the network without a password. The network with  icon indicates that it is encrypted and you must enter the correct password to connect to the network.
2. Select the network you want to connect to in the network list, and press **[OK]** key.
3. Type network connecting password in the box and exit keyboard, then select **Connect** and press **[OK]** key to connect to network.

■ Ethernet

1. Press **[⊞]** key, then select **Network > Connection Type > Wired** and your machine will connect to the network automatically;
2. You can also set **IPv4** as **Manual**, then press **[▲]/[▼]** key to select IP, Subnet mask, Gateway, DNS and set them. Finally, select

Connect and press **[OK]** key, then your machine will connect to the network.

■ WOW

WOW allows remote systems to wake up the sleeping TV by sending a frame of a specific format which the client anticipates (It is available when Wi-Fi is connected).

Press **[⊞]** key, then select **Network > Advance Settings > WOW**, and press **[▶]** key to set it as "On" or "Off".

Important Statement on Network Services

All contents and services obtained from this TV set belong to the third party and are protected by laws on copyright, patent right, trademark right and/or other intellectual property right. The said contents and services are only for your non-commercial purposes. It is not allowed to use any content or service without the authorization of the content owner or the service provider.

Our company will undertake no liability for any direct, indirect, accidental losses or damages caused by your or a third party's access to any content, service, information or any third party software through this set under any circumstances. Third party service may be changed, deleted or stopped without prior notice. Our company neither implies nor guarantees the continuous availability of some service or content within any period of time. Our company is not to be held responsible for services related to the said service and content. Besides, we will not bear any liability for client service. Please directly contact relevant content and service providers if you have any problem or service request concerning any relevant service or content.

Multimedia Player

Press **[▲]** key, then press **[◀]/[▶]** key to select **Media** and press **[OK]** key to enter. Select the file type from **Video, Photo, Music, Files**.

■ **Playing files in local disk device:** Before playing files in the local disk, insert the USB mass storage device into the USB interface.

Select local disk device in the file directory and press **[OK]** key to enter. Select the target folder and press **[OK]** key to enter the folder. Then press **[▲]/[▼]/[◀]/[▶]** to select the target file and press **[▶]** (play) to play it. Press **[↶]** key to return to previous page.

Attention:

1. Non-standard USB devices can't be recognized properly; in this case, please use a standard USB device.
2. The stream media system has certain restriction on the format of files; the playing will be abnormal if it is out of the system restriction.
3. Do not remove the USB device while playing, or else the system or device may have problem; before replacing the USB device, please turn off the machine's power supply.
4. The system supports standard USB1.1 and USB2.0 devices, such as USB mass storage devices and removable hard disks.
5. The maximum output current of the USB port of this device is 500mA, and the self-protection will be enabled if it is beyond this limit; please use external power supply if an external device of higher current will be connected.
6. The system is complicated; when it is reading or playing files, the screen may be still or certain functions may be invalid due to the compatibility and stability of the USB device; in this case, please turn off the device and re-initialize the system. Press **[INFO]** key to display or hide the information. While playing, press **[◀]/[▶]/[▶]** (play)/**[III]/[■]** key on the remote control to operate.

TROUBLESHOOTING

■ Snowflake spots occur in the TV images and there is noise in the accompanying sound.

1. Check if the antenna plug is loose or the cable is in good condition.
2. Check the antenna type (VHF/UHF).

3. Adjust the direction and position of the antenna.

4. Try to use signal enhancer.

■ There is neither display nor sound on the screen. The indicator light is not on.

Check if the power line is connected.

■ Dotted line or strip disturbance occurs in TV images.

Do not use electric hair dryer beside the TV set and adjust the antenna direction to reduce disturbance.

■ Double images occur on the TV screen.

1. Use high oriented antenna.
2. Adjust the direction of the antenna.

■ The images are colourless.

Enter "Picture" setting to increase color saturation.

■ The TV has no accompanying sound.

1. Adjust the volume to a proper degree.
2. Press **[MUTE]** key on the remote control to cancel mute mode.

■ No signal input images show on the machine screen. The indicator light is blinking.

1. Check if the signal connecting cable is loose or falls off, Reconnect it.
2. The machine may be in standby mode, please reboot.

■ The remote control distance is short or out of control.

1. Remove the object to avoid blocking the remote control receiving window.
2. Replace the battery.

■ Online video play is very slow.

1. Please upgrade your network bandwidth to a higher one.
2. Please try to replace the current IP address with other IP addresses to obtain better resources.

■ If the machine is slow, system crashes, or you can't operate the machine.

Disconnect the power supply first, and connect the power supply after about 1-2 minutes, then turn on the TV again.

TECHNICAL SPECIFICATIONS

Master Unit

32(HD)

Max. Resolution	1366×768
Best Resolution	1360×768@60Hz
Power Supply	100-240VAC 60/50Hz
Power Consumption of Speaker	6W+6W

(40)FHD/(43)FHD

Max. Resolution	1920×1080
Best Resolution	1920×1080@60Hz
Power Supply	100-240VAC 60/50Hz
Power Consumption of Speaker	6W+6W

Dimension (L×W×H) and Weight

(32)HD

Excluding base	Unpacking: 730×68×471(mm ³)
Including base	Unpacking: 730×193×524(mm ³) Packing: 835×132×556(mm ³) Net Weight: 4.1kg Gross Weight: 5.5kg

(40)FHD

Excluding base	Unpacking: 904×70×519(mm ³)
Including base	Unpacking: 904×178×573(mm ³) Packing: 1015×135×622(mm ³) Net Weight: 5.8kg Gross Weight: 7.7kg

(43)FHD

Excluding base	Unpacking: 968×73×564(mm ³)
Including base	Unpacking: 968×235×619(mm ³) Packing: 1085×140×661(mm ³) Net Weight: 7kg Gross Weight: 9kg

Operating Environment:

Temperature: 5 ~40

RH: 10%~85%

Atmospheric pressure: 86kPa~106kPa

Storage environment:

Temperature: -20 ~55

RH: 5%~95%

Atmospheric pressure: 86kPa~106kPa

Technical Specifications for TV

1. Supported Systems:

ATV: PAL D/K, I, B/G, SECAM D/K, B/G;

DTV: DVB-T/T2/C.

2. TV(RF): 75 Imbalance.

3. AV Video-Input: 75, 1±0.1Vp-p, RCA.

4. AV Audio-Input: 20K, 0.2~2Vrms.

5. HDMI Video Input: 480i, 480p, 576i, 576p, 720p, 1080i, 1080p.

6. Specific internal memory capacity in accordance with actual configuration.

7. Specific cache capacity in accordance with actual configuration.

8. Wireless connection: Wi-Fi (IEEE 802.11 b/g/n).

9. Intelligent operating system: Linux.

VGA display mode

(40)FHD/(43)FHD

NO.	Mode	Resolution	Refresh rate
1	VGA	720×400	70Hz
2		640×480	60Hz
3	SVGA	800×600	60Hz
4	XGA	1024×768	60Hz
5		1280×720	60Hz
6	WXGA	1360×768	60Hz
7		1600×900	60Hz
8	WUXGA	1920×1080	60Hz

Recommended mode: 1920X1080@ 60Hz

(32)HD

NO.	Mode	Resolution	Refresh rate
1	VGA	720×400	70Hz
2		640×480	60Hz
3	SVGA	800×600	60Hz
4	XGA	1024×768	60Hz
5	WXGA	1360×768	60Hz

Recommended mode: 1360X768@ 60Hz

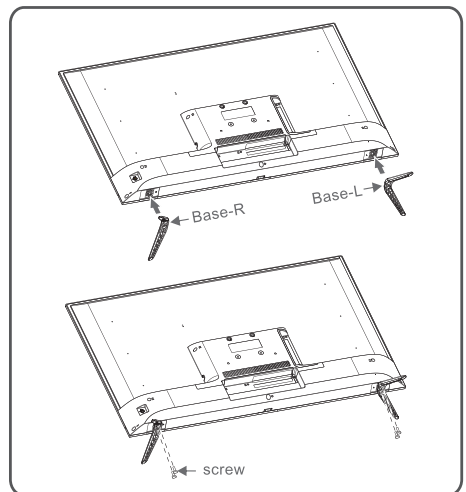
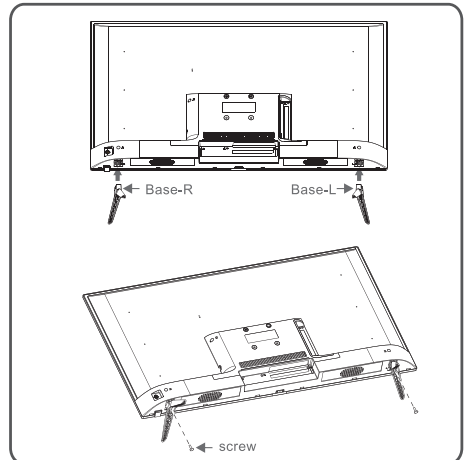
Power management

Mode	Power Consumption	
	(32)HD/(40)FHD	(43)FHD
Normal working	≤55W	≤75W
Standby	≤0.5W	≤0.5W

Note: These power ratings and resolution may vary in accordance to the use of the product.

BASE INSTALLATION INSTRUCTIONS

Put the machine flat first, distinguish left and right base and base installation front and back direction, then install the bases in the bottom of the machine back cover as arrow direction in figure. Align screw holes, then fasten screws. (Notice that the base module has to be adjusted as figure states, otherwise it cannot be installed).



Remark: The actual base and machine appearance may be different from pictures; please refer to the actual device.

Note: For wall mount, installation and further assistance, please call on our customer care number-1860 500 3555.



DISPOSAL OF OLD ELECTRIC APPLIANCES

According to Waste Electrical & Electronics Equipments' (WEEE) directive, WEEE should be separately collected and treated. If at any time in future you need to dispose of this product, please DO NOT dispose of this product with other household waste. Please send this product to WEEE collecting points where available.

The following marking/symbol on the product or carton indicates that the product and its accessories/parts should not be disposed of with other household waste at the end of working life. Please separate these items from other types of waste and recycle them responsibly for the conservation of the environment and collective well-being.

REACH US AT

Jaina India Pvt Limited, D-170, Okhla Industrial Area, Phase-I, New Delhi-110020

Customer Care: 1860 500 3555 | Website: www.sansuiworld.com