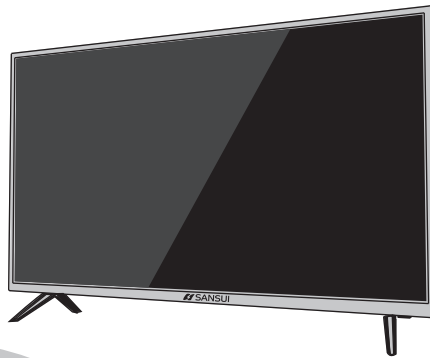




## USER MANUAL



### LED TV

Model No.: **JSK32NSHD**  
**JSK40NSFHD**





Please read this manual carefully for proper usage before installation and use. It is recommended to keep this manual properly for future check. The pictures in this manual are only for reference.

## Contents

<b>Safety Warning and Notice</b> .....	1
<b>Mounting and Connecting</b> .....	3
Mounting the TV set .....	3
Connecting peripheral equipment .....	4
<b>Panel Control Keys</b> .....	5
<b>Remote Control</b> .....	6
<b>Basic Operations</b> .....	7
Turning on/Standby .....	7
Signal source selection .....	7
Menu operation description .....	7
Program scanning .....	7
USB multimedia function .....	8
<b>Troubleshooting</b> .....	8
<b>Technical Specifications</b> .....	9
<b>Base Installation Instructions</b> .....	10
<b>Disposal of Old Electric Appliances</b> .....	10

### SAFETY WARNING AND NOTICE

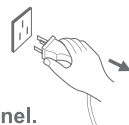
Thanks for choosing the high-performance and multifunctional intelligent LED TV produced by our company. This precious thing will bring you better audiovisual enjoyment. The design of this product has given consideration to factors affecting personal safety, and the product itself has gone through strict tests prior to delivery. However, improper operation may result in electric shock and fire disaster. For safety and usage purposes, please read this manual thoroughly and retain it for future reference. Pay full attention to the marking labels and safety instructions, to enhance the performance and service life of the product.

	Warning	May result in casualties
	Indicates the behaviors that must be prohibited	
	Attention	May result in personal injury or property losses
	Indicates the operations that must be performed	

### Under the Following Conditions:


- Power failure or unstable voltage.
- Abnormal sound or smell from the device.
- AC power cord is damaged.
- TV set is damaged due to falling off, knock or impact.
- Any liquid or foreign matter enter into the TV set.

**Turn off the TV set immediately, unplug the power cord from the power outlet, and contact the authorized maintenance personnel.**



**If coal gas or other flammable gases leak, do not unplug the power cord of the TV set or other electric appliances; instead, close the valve of the gas immediately and open the doors and windows.**

### Warning

-  ● Only use 100-240VAC, 60/50Hz power supply.
- This TV must be connected to a three pin socket outlet for safety.
- All cables can be connected or pulled out only after power supply is turned off.
- Do not place the TV set on an unstable plane, or else it may fall off, get damaged, or catch fire.
- Do not put the TV set in the environment:
  1. With direct sunshine, moisture, overheating, undercooling or heavy dust.
  2. With flammable or explosive substance.
  3. With flammable or corrosive gas.
  4. In bathroom, kitchen, etc.
- Do not use damaged or improper power socket, and ensure that the plug and socket are connected properly.

- Keep the power plug and socket free of dust and metal pieces.
- Do not damage the power cord:
  1. It is prohibited to refit the power cord.
  2. Do not put heavy object on the power cord.
  3. Keep the power cord away from heat sources.
  4. Do not drag the power cord when unplugging.

### ⚠ Warning

- ⊘ ● Do not connect too many appliances to one power strip, or else it may cause fire due to high power consumption.
- Do not let open flame (e.g. lit candle) approach the TV set, or else it may cause electric shock or fire.
- Do not put the container filled with water on the TV set, to avoid electric shock or fire caused by water drop of splashing.
- Do not penetrate any sharp object, metal or liquid into the signal connector or air vents, to avoid short circuit and product damage as well as electric shock.
- The slots on the case have been designed to release heat so as to assure that all the internal components will not reach an extra high temperature and can work normally for a long time. Please do not cover the holes while placing the TV set.



Do not touch the plug with wet hands, or else it may cause electric shock.



Do not turn on the TV set during lightning; instead, unplug the power plug and antenna connector to avoid lightning strike.



Do not disassemble the TV set by yourself, or else it may cause electric shock or fire. Contact qualified personnel for maintenance.

### ⚠ Attention

- Do not let children climb onto the TV set.
- Keep the small accessories away from children's reach, so that they are not mistakenly swallowed.
- If the TV set won't be used for a long time, please turn off the device and unplug the power cord.
- Before cleaning the TV set, unplug the power cord and wipe it with a soft cloth; do not use chemical reagents and avoid foreign substances entering into the device. The incorrect cleaning (such as cleaning fluid, water, etc) may lead to damage of product's appearance, erasing product's printed information. The liquid may flow into the machine and damage its components, hampering the machine's display.

### ⚠ Attention

- To adjust the position or angle of the TV set, please disconnect all wires and move it slowly to avoid any fall.
- Do not rub with hard object, knock at, bend or squeeze the screen.
- Do not use the machine immediately, if it is shifted from a low temperature to a high temperature place; otherwise it will cause fogging inside the machine and may result in failures.
- If the screen is broken and the liquid splashes on skin, please wash the affected part with clean water immediately for 15 minutes, and go to see your doctor.

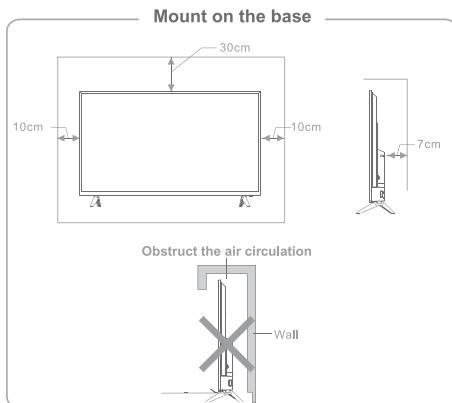
- To carry the TV set with hands, please grasp the corners and hold the bottom; do not apply force on the panel.
- If the same image is being displayed for a long period of time or there are active images with fixed words, there might be a possibility that icons will leave "image persistence" on the screen. This situation may continue to occur even if the device is kept switched off for a longer duration. This undesirable phenomenon is not covered by the warranty.
- **Healthy TV watching:**
  1. Watch in appropriate light; poor light or long time watching may hurt your eyes.
  2. Adjust the volume appropriately to avoid hurting your hearing.
- Unplug the power cord of the device to cut off the power supply.
- If a power plug or appliance coupler is used as disconnecting device, it should ensure easy operation.
- Power plug shall be connected reliably, loose power plugs may cause sparkle or fire.
- All the technical specifications in the user's manual and on the packaging are subject to changes without prior notice. If there is slight deviation between the user's manual and actual operation, the latter shall prevail.

## MOUNTING AND CONNECTING

### Mounting the TV set

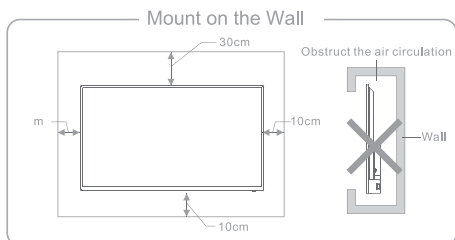
#### Tips on Installation

- The TV set should be mounted near the AC power socket for easy plugging and unplugging.
- For your safety, please select appropriate wall mount bracket or base.
- To avoid hurt, it is required to place the TV set on a stable plane, or fix it on the firm wall.
- Ask qualified personnel to mount the TV set on the wall. Improper mounting may result in an unstable TV set.
- Do not place the TV set at any place susceptible to mechanical vibration.
- Do not place the TV set at any place where insects may enter.
- Do not mount the TV set against air conditioner, or else the internal panel of the display may condense moisture and cause failure.
- Do not place the TV set at any place with strong magnetic field, or else it may be interfered with and damaged by electromagnetic waves.



**HDMI**™  
HIGH-DEFINITION MULTIMEDIA INTERFACE

The terms HDMI and HDMI High-Definition Multimedia Interface, and the HDMI Logo are trademarks or registered trademarks of HDMI Licensing Administrator, Inc. in the United States and other countries.



### Ventilation

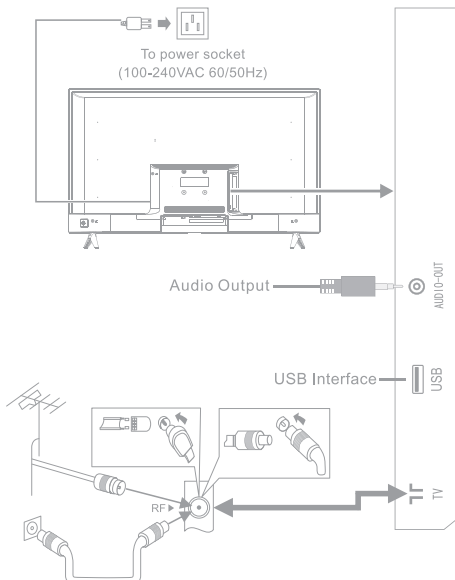
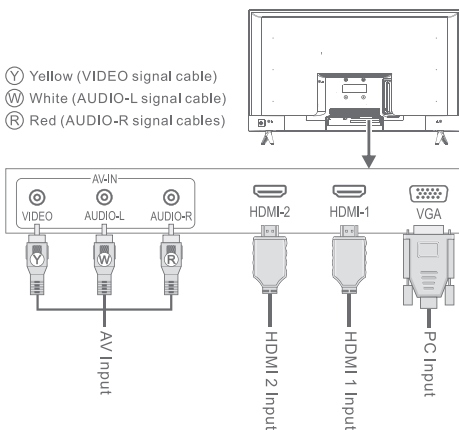
- Please keep at least this much space around the TV, as shown in the figure.
- Do not cover the air vents or insert any object into the enclosure.
- Do not put the device in limited space, e.g. bookcase or embedded closet, unless the TV set is properly ventilated.

### Connecting Peripheral Equipment

#### Remark:

1. When you need to connect the device which supports the ARC function, please select the HDMI-1 interface.
2. HDMI connector can realize DVI connector function with external HDMI/DVI commutator.
3. The peripheral equipment and cables described in this manual should be purchased separately.

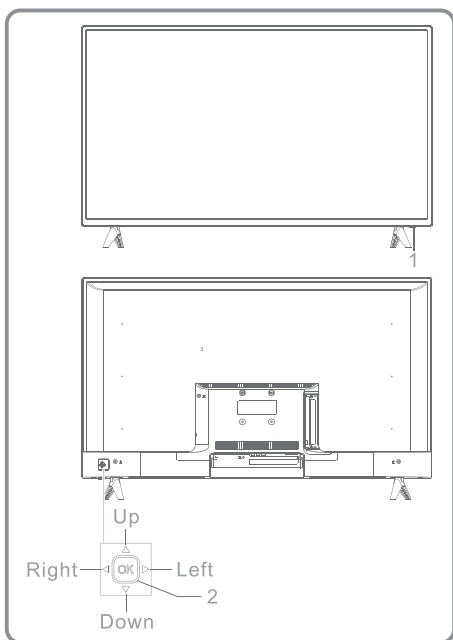
- (Y) Yellow (VIDEO signal cable)
- (W) White (AUDIO-L signal cable)
- (R) Red (AUDIO-R signal cables)



### Warning

When connecting outdoor antenna to signal port of the TV set, please turn off the main power switch of the TV set first. Do not approach the outdoor antenna to high voltage mains power line to avoid electric shock. The wired network antenna connected to this TV set must be isolated from the protective grounding, or else it will cause fire or other hazards.

## PANEL CONTROL KEYS



1. Power LED indicator and remote receiving window.

2. Rocker button combination key:

Power on or standby with **OK** rocker:

- ①. After you have plugged the power cord into the electric socket, you can press **OK** rocker to turn on the TV.
- ②. In power on state, press **OK** rocker to display the function menu, then move rocker **Left/Right** to select and press **OK** rocker to switch to standby mode.

After turning on the TV, press **OK** Rocker:

- ①. In non-OSD menu operation, press **OK** rocker to display the function menu which includes 4 sorts.
- ②. During the menu operation, press **OK** rocker to confirm the operation. Its function is the same as **[OK]** key on the remote control.

Move rocker **Left/Right**:

- ①. In non-OSD menu operation, move rocker **Left/Right** to decrease/increase the volume, the function is the same as **[VOL-]/[VOL+]** key on the remote control.
- ②. In OSD menu operation, move rocker **Left/Right** to adjust the analog value of selected item, the function is the same as **[◀]/[▶]** key on the remote control.

Move rocker **Up/Down**:

- ①. In non-OSD menu operation, move rocker **Up/Down** to select the channel, the function is the same as **[CH+]/[CH-]** key on the remote control.
- ②. In OSD menu operation, move rocker **Up/Down** to select the adjustment items, the function is the same as **[▲]/[▼]** key on the remote control.

*Note: Different models may have different appearances; please refer to the actual device.*

## REMOTE CONTROL

### Method for Installation of Remote Control Battery

Remove the battery compartment cover and insert two AAA (No. 7, 1.5V) batteries; make sure the polarity of the batteries is in compliance with the polarity mark "+" and "-" in the battery compartment of the remote control.

### Precautions for Using the Remote Control

- The remote control should be pointed at the remote control sensor during operation. An object placed between the remote control and the remote control sensor may impede normal operation.
- The remote control should be prevented from strenuous vibration. Besides, please do not set or place the remote control under direct sunshine, as heating power may result in deformation of the remote control.
- Remote control failure may occur when the remote control sensor of the main unit is under direct sunshine or strong lighting; in this case, please change the angle of lighting or this TV set, or operate the remote control near the remote control sensor.
- Low battery will influence the remote control's performance and operating distance, in which case, the battery should be replaced with a new one. If the remote control is going to be idle for a long time or the battery runs out, please take out the battery to prevent the remote control from being corroded by battery leakage; it may result in its damage and failure.
- Please do not use batteries of different types. It is not allowed to use old and new batteries together; the batteries should be replaced in pair.
- Please do not throw the batteries into fire or charge or decompose the batteries; do not charge, short-circuit, disassemble or assemble, heat or burn used batteries. Please dispose the waste

batteries pursuant to relevant regulations on environmental protection.

### Keys of the Remote Control



Key	Function
Power (⏻)	Switch between normal working and standby.
SOURCE	Press this key to display signal source selection menu.
Mute (🔇)	Turn off the sound.
Numerical key (0~9)	Press the number keys to select channels directly
AUDIO (optional)	Select NICAM mode.
Colour	Adjust color temperature.
Program list (📺)	View program list.
F1	Freeze picture.
Return (⏪)	Press this key to return to previous channel.
SMARTS	Switch the audio mode.
MENU	Press this key to call out the main menu.
SMARTP	Switch the image mode.
▲/▼/◀/▶	Select items or adjust values
OK	Confirm the operation.
CH+/-	Increase/decrease the channel number
16:9	Switch the display mode.
INFO	System information display switch.
VOL+/-	Turn up/down the volume.
PLAY (▶)	Used for operations in USB mode.
PAUSE (⏸)	
STOP (■)	
ROTATE (🔄)	
PREV. (◀◀)	
NEXT (▶▶)	
REV. (◀◀)	
FWD. (▶▶)	
P/N	Select colour system.
Time (⌚)	Press this key to set the power off time.

Note: The appearance of the remote control may be different from this diagram; please refer to the real object as standard.

## BASIC OPERATIONS

### Remark:

- The following keys operation refers to remote control operation; for panel control keys operation, please refer to "**Panel Control Keys**" operation explanation.
- The menu operation in this manual uses the example in TV input source; the operations in other input source are same as the TV.

### Turning on/Standby

Connect the power supply, and press [⏻] key to turn on the TV. Please make sure that the power supply is stable. In power on state, press [⏻] key to switch to standby mode.

- ★ **Special Tips:** This device adopts energy-saving mode if there is no signal input in the power-on state; it will enter into standby state automatically after ten minutes or at the specified sleep time.

### Signal Source Selection

You can connect various devices to the TV set and view high quality images. If the video device has HDMI, AV, PC or other output ports, you can select one of them and connect to corresponding input ports of the TV set. After connected, turn on the device and press [SOURCE] key to show the "Input Source" menu on the screen; press [▲]/[▼] key to select a signal source. Press [OK] key to switch to the selected signal source.

### Menu Operation Description

Press [MENU] key to show the main menu on the screen:

- Press [◀]/[▶] key to select a menu from **CHANNEL, PICTURE, SOUND, OPTION**.
- Press [▲]/[▼] key to select an item in the menu.
- Press [OK] key to set or enter the submenu.
- Press [◀]/[▶]/[▲]/[▼] key to do settings.
- When the main menu shows on the screen, press [MENU] key to exit the main menu. Press [MENU] key to return to previous menu when the TV displays the sub-menu.
- During menu operation, the icons of invalid options will change into grey.

### Program Scanning

Tune the programs before watching the TV for the first time. Before tuning, please make sure that the antenna has been connected properly.



### Auto Tuning

Select **CHANNEL > Auto Tuning**, then press **[OK]** key to start automatic tuning. The scanned TV channels will be saved automatically. During auto tuning, the screen would display "Do you want to exit tuning?" by pressing **[MENU]** key. Press **[◀]** key to confirm or press **[▶]** key to cancel. After auto tuning, the channels will be listed by the frequency, and the original list will be covered.

### ATV Manual Tuning

Select **CHANNEL > ATV Manual Tuning**, and press **[OK]** key to enter the menu. Press **[▲]/[▼]** key to select what you want to adjust, then press **[◀]/[▶]** key to adjust, setting or scanning. In the process of scanning, you can press **[MENU]** key to exit the scanning.

### USB Multimedia Function

Please insert USB storage device into USB interface of TV, and select USB as signal source. Enter the USB multimedia center, which includes 4 sorts: PHOTO, MUSIC, MOVIE and TEXT.

#### Remark:

1. Compatible USB media files: video, audio, picture, and text. The non-standard USB storage devices may be incompatible; please use standard USB devices.
2. Stream media system has limitation on every kind of file format, and will report error if it is beyond the system limit.
3. Do not unplug the USB device while playing, or else it will cause system or device error.
4. The system supports USB flash drive and removable hard disk with standard USB1.1 and USB2.0 interface transmission protocol. The file format of USB device must be FAT or FAT32, instead of NTFS.
5. The USB interface of this TV set can supply a voltage of 5V and the maximum current is 500mA; accurate identification of the multimedia player will be affected when a storage device above 500mA is used, which is a normal phenomenon.

Press **[INFO]** key to display or hide toolbar, while playing, select the menu option which you want, and press **[OK]** key to perform the operation. Press **[▶]/[II]/[■]/[C]/[◀]/[▶]/[◀]/[▶]** key on the remote control to perform shortcut operation.

### TROUBLESHOOTING

#### ■ TV image is blurry, and has noise.

1. Check whether the antenna connector is loose, and whether the cable is in a good state or not.
2. Check antenna type (VHF/UHF).
3. Check antenna orientation or position.
4. Use signal amplifier.
5. Enter main menu to reset the sound system.

#### ■ No screen display, no sound, indicator is off.

Check if the power cord is connected properly.

#### ■ TV image has point, line or stripe interference.

Do not use hair dryer near the device, and adjust the antenna orientation to reduce the interference.

#### ■ TV image ghosting.

1. Use high positioning antenna.
2. Adjust the antenna orientation.

#### ■ Image has no colour.

1. Enter main menu to increase the saturation.
2. Enter main menu to change the colour system.

#### ■ TV doesn't have sound.

1. Adjust the volume properly.
2. Press **[MUTE]** key on the remote control to turn on the sound.
3. Enter main menu to change the sound system.

#### ■ PC doesn't have display, no signal input.

Check whether the signal cable is loose or falls off, and reconnect the cable.

#### ■ Remote control distance is short or out of control.

1. Move the object to avoid blocking the receiver window.
2. Replace the battery.

■ **PC display is blurry.**

1. Use automatic adjustment.
2. Use recommended mode.

■ **PC image offset, can't fit the screen or beyond the screen.**

1. Use automatic adjustment.
2. Enter "PC Setting" to adjust the vertical or horizontal position.
3. Use recommended mode.

■ **Noise Signals at turning off.**

It is normal.

■ **Can't operate the device.**

Disconnect the power supply first, and connect the power supply after about 1-2 minutes, then turn on the TV again.

## TECHNICAL SPECIFICATIONS

### Master unit

#### (32)HD

Max. Resolution	1366×768
Best Resolution	1360×768@60Hz
Power Supply	100-240VAC 60/50Hz

#### (40)FHD

Max. Resolution	1920×1080
Best Resolution	1920×1080@60Hz
Power Supply	100-240VAC 60/50Hz

### Dimension (L×W×H) and Weight

#### (32)HD

Excluding base	Unpacking: 730×68×471(mm3)
Including base	Unpacking: 730×193×524(mm3) Packing: 835×132×556(mm3) Net Weight: 4.1kg Gross Weight: 5.5kg

#### (40)FHD

Excluding base	Unpacking: 904×70×519(mm3)
Including base	Unpacking: 904×178×573(mm3) Packing: 1015×135×622(mm3) Net Weight: 5.8kg Gross Weight: 7.7kg

### Operating Environment:

Temperature: 5°C~40°C

RH: 10%~85%

Atmospheric pressure: 86kPa~106kPa

### Storage Environment:

Temperature: -20°C~55°C

RH: 5%~95%

Atmospheric pressure: 86kPa~106kPa

### Technical Specifications for TV

1. Supported standard: PAL+NTSC+SECAM.
2. Antenna input: 75Ω coax, unbalanced.
3. AV video input: 75Ω, 1±0.1Vp-p, RCA terminal.
4. AV audio input: 20KΩ, 0.2~2Vrms.
5. HDMI video input: 480i, 480p, 576i, 576p, 720p, 1080i, 1080p.

### VGA display mode

#### (40)FHD

NO.	Mode	Resolution	Refresh rate
1	VGA	720×400	70Hz
2		640×480	60Hz
3	SVGA	800×600	60Hz
4	XGA	1024×768	60Hz
5		1280×720	60Hz
6	WXGA	1360×768	60Hz
7		1600×900	60Hz
8	WUXGA	1920×1080	60Hz

Recommended mode: 1920x1080@ 60HZ

#### (32)HD

NO.	Mode	Resolution	Refresh rate
1	VGA	720×400	70Hz
2		640×480	60Hz
3	SVGA	800×600	60Hz
4	XGA	1024×768	60Hz
5	WXGA	1360×768	60Hz

Recommended mode: 1360x768@ 60HZ

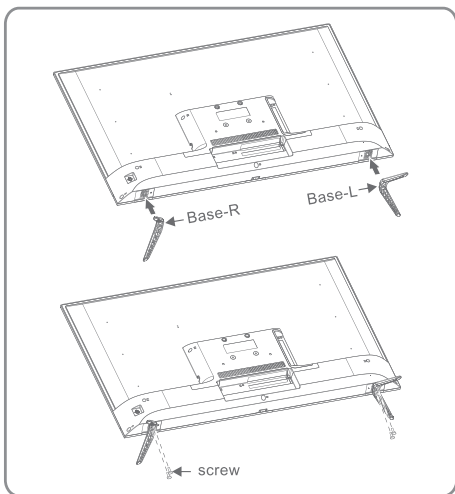
## Power management

Mode	Power Consumption
	(32)HD/(40)FHD
Normal working	≤55W
Standby	≤0.5W

**Note:** These power ratings and resolution may vary in accordance to the use of the product.

**BASE INSTALLATION INSTRUCTIONS**

Put the machine flat first, distinguish left and right base and base installation front and back direction, then install the bases in the bottom of the machine back cover as arrow direction in figure. Align screw holes, then fasten screws. (Notice that the base module has to be adjusted as figure states, otherwise it cannot be installed).



**Remark:** The actual base and machine appearance may be different from pictures; please refer to the actual device.

**Note:** For wall mount, installation and further assistance, please call on our customer care number-1860 500 3555.

**DISPOSAL OF OLD ELECTRIC APPLIANCES**

According to Waste Electrical & Electronics Equipments' (WEEE) directive, WEEE should be separately collected and treated. If at any time in future you need to dispose of this product, please DO NOT dispose of this product with other household waste. Please send this product to WEEE collecting points where available. The following marking/symbol on the product or carton indicates that the product and its accessories/parts should not be disposed of with other household waste at the end of working life. Please separate these items from other types of waste and recycle them responsibly for the conservation of the environment and collective well-being.

**Note:** For more information on this subject, please log on to <http://www.sansuiworld.com/e-waste> or call us on 1860 500 3555.

**REACH US AT**

Jaina India Pvt Limited, D-170, Okhla Industrial Area, Phase-I, New Delhi-110020

Customer Care: 1860 500 3555 | Website: [www.sansuiworld.com](http://www.sansuiworld.com)