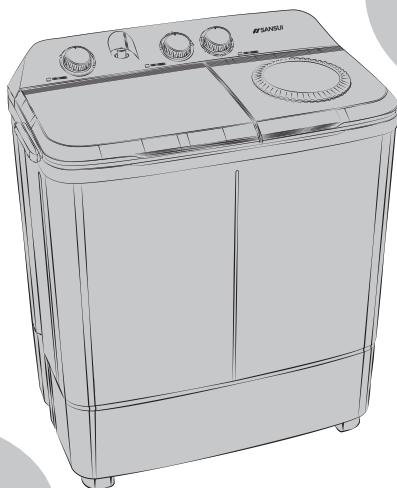


SANSUI

USER MANUAL



Semi-Automatic Washing Machine

Model No.: **JSD65S-T5B4N**
JSD65S-T5B4K

Thank you for choosing Sansui washing machine.

Our washing machines are developed with high-technical and quality standards, with features to offer you even more comfort.

Read all instructions before using this appliance as this book contains valuable information about operation, care and service. Keep it in a safe place.

CONTENTS

1.	Parts Identification	1
2.	Safety Precaution	2
3.	Care and Maintenance	2
4.	Recommended Washing Procedure	3
5.	Laundry Guide	4
6.	Troubleshoot Table	4
7.	Specification & Wiring Diagram	6

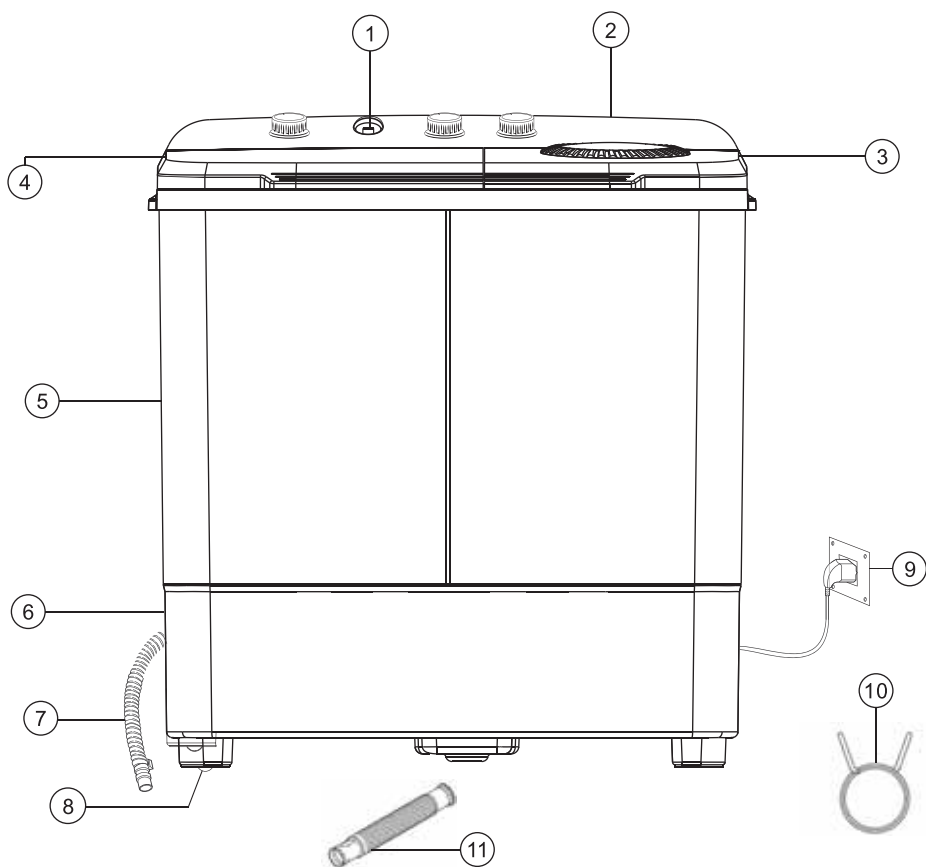


This appliance is not intended for use by persons (including children) with reduced physical, sensory or mental capabilities, or lack of experience and knowledge, unless they have been given supervision or instruction concerning use of the appliance by a person responsible for their safety.

Do not put hands into the tub when it's working.

The power cord of the machine is connected by Y-shape. It must be replaced by the designated service centre to avoid any hazard.

Parts Identification



- | | | | |
|---|---------------|---|---------------|
| ① | Water Inlet | ⑦ | Drain Pipe |
| ② | Control Panel | ⑧ | Castor Wheels |
| ③ | Spin Lid | ⑨ | Power Cord |
| ④ | Wash Lid | ⑩ | Hose Clamp |
| ⑤ | Tub | ⑪ | Inlet Hose |
| ⑥ | Base | | |

Note: Graphics and Images shown in manual may differ from the actual product. It is for reference only.

Safety Precautions

1. Make Sure that the washing machine is plugged to a 3-pin/5A electrical outlet and earth terminal is provided on the outlet.
2. Unplug the power supply cord when you do not use it.
3. To disconnect the washing machine from electrical mains completely, pull out the plug and do not pull it from the mains cord.
4. Do not allow your kids to look inside the washing machine while it is in use.
5. The washing machine is meant for washing clothes with water as a medium. Do not use petrol or other chemicals. This can result in fire and damage.
6. Do not use water temperature exceeding 50°C, as this deforms the plastic parts in the machine. If you desire to use warm water, add hot water to cold water in the wash. Do not pour hot water directly in the empty tub.
7. Keep the machine away from flames and inflammable material. Do not expose the washing machine to direct sunlight or rain. Also avoid placing it in humid locations.
8. Take precautions not to pierce the control panel membrane sheet.
9. Do not connect the earth wire to a telecom wire/pole, or a lightning rod.
10. Do not press the button with an awl or a pin.
11. Avoid overloading of wash and spin tub.
12. Do not use wash & spin tub for water storage.



Care & Maintenance

Be sure to remove the power plug from main power supply before cleaning the machine and filter.

Cleaning the Wash Tub

1. After washing is complete, fill fresh water above the level of pulsator without adding clothes.
2. Run the machine for 1-2 minutes. Turn the knob to 'DRAIN' position when pulsator is still rotating.
3. When water is completely drained out, turn the knob to 'WASH' position.
4. Finally turn off the machine.

Recommended Washing Procedure

1. Open the water tap and fill the wash tub about half way.
2. Put the laundry detergent and allow it to disperse well.
3. Put in the clothes to be washed and add water in accordance with the amount of load (number of clothes).
4. Set the WASH TIMER as desired depending on the fabric type and how dirty the clothes are.
5. When washing is finished, set the Drain Selector to Drain.

NOTE: Ensure that the clothes rotate freely during the wash., if not, reduce the load (by removing some clothes from the machine).

Rinsing and Dry Rinsing

There are 2 ways to rinse:

1. **Rinse:** Fill the wash tub appropriately for the number of clothes being washed. Set wash timer for 15 minutes. (Rinsing procedure will start and the clothes will rinse for 15 minutes).
2. **Intermediate Spin Rinse:** Put clothes inside the Spin Tub. Set water supply selected to Spin Tub. Open the water tap and keep it open for 1 - 2 minutes and then close the tap. Spin for 1 minute. When spinning is over and the clothes are rinsed, set the Drain Selector to DRAIN. Do not keep the water tap open when the Spin Tub is rotating, else the machine will malfunction.

Spin Drying

Put the clothes inside the Spin Drum, distributing them evenly and ensure that the drain hose is lowered otherwise the machine will malfunction. After putting the clothes in the spin drum, place the spin drum cap over the clothes inside the tub to prevent them from flying out. Close the spin drum lid. If the lid is not closed, the spin drum will not rotate. Set the SPIN TIMER from 1-5 minutes according to the type of clothes. If the spin drum starts to shake noticeably, open the lid and wait for the spin drum to stop spinning. Distribute the clothes evenly and re-start.

Reference

TABLE 1: DETERGENT GUIDE

Wash Load	1.2~2.5 kg	2.5~3.8 kg	3.8 – 5.0 kg	5.0 kg or Above
Water Level	low	medium	high	overflow
Amount of Detergent	40gm	50gm	60gm	64gm
Amount of Concentrate Detergent	25gm	30gm	38gm	40gm
Amount of Softener	22ml	26ml	29ml	35ml

TABLE 2: LAUNDRY GUIDE

Amount of Laundry	Clothes	Synthetic Fiber	Cotton	Heavy Stained Clothes
	System			
1.2-2.5 kg	Wash time	2-5 minutes	7-10 minutes	10-15 minutes
	Wash selector	Gentle	Heavy	Heavy
2.5 – 3.8 kg	Wash time	7-10 minutes	10-15 minutes	15 minutes
	Wash selector	Gentle	Heavy	Heavy
3.8 kg & above	Wash time	15 minutes	15 minutes	15 minutes
	Wash selector	Gentle	Heavy	Heavy

NOTES:

- If the wash load and water volume do not match, clothes may face damage/water splash may occur.
- The quality of wash load varies depending on fabric type, thickness and size of the clothes.
- Adjust the water level/wash load as required by carefully watching the movement of the clothes in the tub.

Troubleshooting Table

Troubles	Check points
Motor not working	<ul style="list-style-type: none"> • Check supply source • Is the power cord firmly plugged in? • Is the timer tuned to the suitable point except 'OFF'? • Motor has been provided with 'TOP' (Thermal overload protector). This will protect the motor from burning due to overheating caused by various variable factors such as overvoltage, frequency variation, etc. In such cases, motor supply will turn off, thus stopping the motor. Wait for approximately ½ hour till motor cools to normal temperature. Restart the machine to see if motor functions normally.
Spin dryer basket does not operate	<ul style="list-style-type: none"> • Is there any cloth dropped between the basket and tub? • Is the spin dryer cover closed? • Is the laundry gathered to one side of the spin dryer basket?
Drain not drawing	<ul style="list-style-type: none"> • Is the lint stuck to the plunger valve? • Is the end of the drain hose guide located at an excessive height?

Troubleshoot Table

Problem	Reason	Solution
The pulsator does not rotate	<ul style="list-style-type: none"> • Power out or switch off • Transmission belt busted • Pulsator is blocked by something 	<ul style="list-style-type: none"> • Switch on plug • Assemble the transmission belt • Remove the blockage
The pulsator rotates too slowly	<ul style="list-style-type: none"> • Belt becomes loose • The flexible screw of motor is loose 	<ul style="list-style-type: none"> • Tighten the belt or replace it • Tighten the belt and the screw
Abnormal noise and vibration	<ul style="list-style-type: none"> • The clothes in the spin dry tub are unbalanced • Something is stuck between pulsator and wash tub 	<ul style="list-style-type: none"> • Place the clothes neatly • Remove it
Water leaks from wash tub	<ul style="list-style-type: none"> • The hose is not tightened with the wash tub 	<ul style="list-style-type: none"> • Tighten it

Usage Instructions for Semi-automatic Washing Machine

Step 1

- Select the Wash option (Gentle/Heavy) on the selector switch.
- Wash: Put the clothes in the wash tub with water and detergent. Start the wash function.
- Pulsator will rotate and wash the clothes in 15 minutes.

Step 2

- Place the clothes in the spin tub.
- Select Spin Timer for the time period required (5 minutes).
- This is required to remove excess soap.
- It will result in the first drying process for the clothes.

Step 3

- Transfer clothes to the wash tub.
- Rinsing: Fill in water only and select Wash Time for 3-4 minutes.
- After this is complete, select the Drain mode to drain out water.

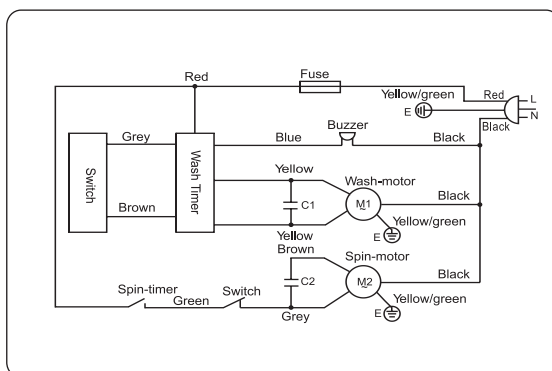
Step 4

- Drying: Transfer clothes to spin tub and select Spin Time to complete final drying process.

Specifications

Model	JSD65S-T5B4N JSD65S-T5B4K
Max. Rated Capacity Wash	6.5kg
Max. Rated Capacity Spin	4.5kg
Power Supply	230V AC/50Hz
Washing Input	350W
Spinning Input	130W
Net Dimension in cm (WxDxH)	76X44.5X93
Packaging Dimension in cm (WxDxH)	81X49.5X97.5
Net Weight	19kg
Gross Weight	22.5kg
Water Capacity High	65L
Water Capacity Low	52L
Castor	Yes
Buzzer	Yes
Wash Timer	15 minutes
Spin Timer	5 minutes

Wiring Diagram



For the purpose of recycling to facilitate effective utilization of resources, please return this product to a nearby authorized collection centre, registered dismantler/recycler, service centre when disposing of this product.

In case of further assistance, you may contact nearest authorized service centre.

REACH US AT

Jaina India Pvt Limited, D-170, Okhla Industrial Area, Phase-I, New Delhi-110020

Customer Care: 1860 500 3555 | Website: www.sansuiworld.com